

REVISIONS					
ZONE	ECN	REV.	DESCRIPTION	DATE	APP'D
	102658	H	REDRAWN IN SOLID WORKS: ITEM #1: WAS 1075007, ITEM #13: WAS 1075012, ITEM #14: WAS 1075348, ITEM #27: WAS 1075010, 5-FORM # NOW DWG #	31OCT13	TJM
	103697	J	ITEM #20: WAS: 1071942, 1071943, 1071944	12DEC14	TJM

ITEM NO.	QTY.	PART NUMBER	DESCRIPTION
1	1	43476	BODY, VALVE 521
2	1	1075358	NUT, DISC PLATE
3	1	1075033	EPDM
		1075034	BUTYL
		1075036	FKM
4	1	1075360	RETAINER, DISC
5	1	1083536	SHAFT, 5521
6	1	1075030	GUIDE, SHAFT, 521, NORYL
7	1	1071743	EPDM O-RING, 2-208
		1071775	BUTYL O-RING, 2-208
		1071814	FKM O-RING, -208, BUTYL
8	1	1071690	O-RING, 2-112, NITRILE
9	1	1075028	DIAPHRAGM, 521, NBR
10	1	1071715	O-RING (NITRILE), 2-805
11	1	43080	PLATE, DIAPHRAGM, 5521, LWR
12	1	43081	PLATE, DIAPHRAGM, 5521, UPR
13	1	43477	CAP, 521 VALVE
14	1	43725	CAP, 5521, LWR, NORYL
15	8	1072380	SCREW, RHMS 10-32, SS
16	3	1075354	STAND OFF,
17	1	1075357	SHAFT GUIDE,
18	1	1071677	O-RING, 2-025, NITRILE
19	8	1071648	HEX NUT, 10-32, SS
20	1	1081945	EPDM QUAD RING, 2-029, EPDM
		43893	BUTYL QUAD RING, BUTYL, 2-029
		1081947	FKM QUAD RING, FKM
21	4	1071718	EPDM O-RING, -014, EPDM
		1071760	BUTYL O-RING, -014, BUTYL
		1071788	FKM O-RING, -014, FKM
22	1	1078767	CONNECTOR, 1/8 MNPT X 1/4 T, PLS

REPAIR PARTS KITS		
DESCRIPTION	PART NO.	
DIAPHRAGM & SEALS KIT CONSISTS OF ITEM NO'S 3,7,8,9,10,18,20,21	1075361 (5521-RAE) E.P.D.M. INCLUDES DIAPHRAGM 1075028 (521-FB)	1075362 (5521-RAJ) BUTYL INCLUDES DIAPHRAGM 1075028 (521-FB)
	1075363 (5521-RAV) FKM INCLUDES DIAPHRAGM 1075028 (521-FB)	
INT. PART KIT (NORM. OPEN) CONSISTS OF ITEM NO'S 2,4,5,6,11,12,17	1071433 (K5521-RF)	

ASSEMBLY TOOLS	
DESCRIPTION	PART NO.
FOR INSTALL & REMOVAL OF SHAFT GUIDE & DIAPHRAGM PLATE (TOOL NOT SHOWN)	1075059 (521-Z)
FOR SHAFT WHEN INSTALL, OR REMOVING DIAPHRAGM PLATE (TOOL NOT SHOWN)	1075060 (521-ZA)

16605 West Victor Rd
New Berlin, WI 53151
262-326-0100
www.aq-matic.com

DO NOT SCALE DRAWING. DIMS. ARE IN INCHES [mm]
INTERPRET DIMS AND TOLERANCES PER ASME Y14.5M -2009
UNLESS OTHERWISE SPECIFIED:

TOLERANCES:
ANGLES: ±1°
1 PLACE .XX: ±0.15 [0.38]
2 PLACE .XXX: ±0.1 [0.3]
3 PLACE .XXX: ±0.05 [0.13]

THIRD ANGLE
PROJECTION

APPROVALS

DRAWN: NE

APPROVED:

CHECKED:

DATE: 08/29/12

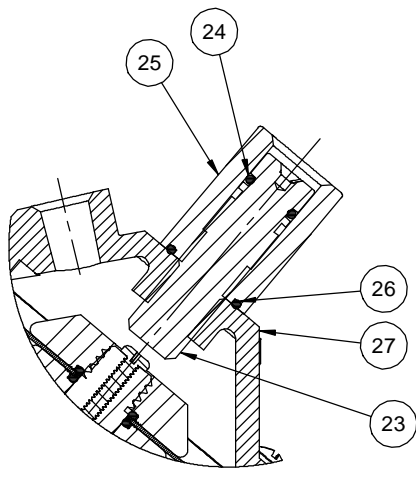
TITLE
CATALOG SHEET, 5521 DIAPHRAGM VALVE,
STANDARD MODEL

SIZE: C DWG NO.: BR1077693

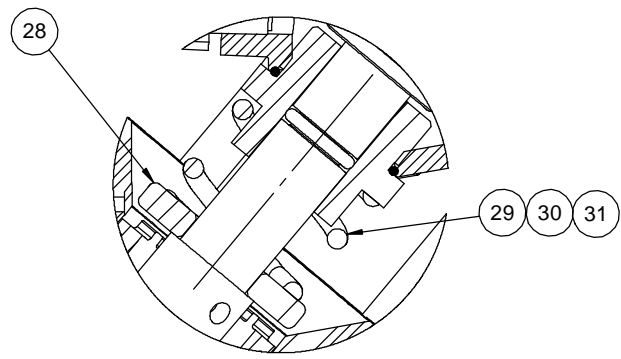
SCALE: 1:1

REV: J

SHEET 1 OF 2



1076708 (K551-X214-14000)
LIMIT STOP



1071423 (K551-X203-14000) 30 PSI
 1071424 (K551-X204-14000) 60 PSI
 1071425 (K551-X205-14000) 100 PSI
**FAILSAFE
 SPRING CLOSED**

REVISIONS					
ZONE	ECN	REV.	DESCRIPTION	DATE	APP'D
			SEE SHEET 1 FOR LIST OF CHANGES		

LIMIT STOP MODEL

ITEM NO	QTY	PART NUMBER	DESCRIPTION
23	1	1075058	LIMIT STOP SCREW, SS
24	1	1071668	O-RING,2-012,NITRILE
25	1	1075057	LIMIT STOP NUT, SS
26	1	1071671	O-RING,2-016,NITRILE
27	1	43724	CAP, 521, LIMIT STOP

FAILSAFE SPRING CLOSED - 30 PSI

ITEM NO	QTY	PART NUMBER	DESCRIPTION
28	1	1075351	RETAINER, SPRING
29	1	1075366	SPRING, COMPRESSION

FAILSAFE SPRING CLOSED - 60 PSI

ITEM NO	QTY	PART NUMBER	DESCRIPTION
28	1	1075351	RETAINER, SPRING
30	1	1075370	SPRING, COMPRESSION

FAILSAFE SPRING CLOSED - 100 PSI

ITEM NO	QTY	PART NUMBER	DESCRIPTION
28	1	1075351	RETAINER, SPRING
31	1	1075365	SPRING, COMPRESSION

REPAIR PARTS KITS	
DESCRIPTION	PART NO.
INT. PARTS KIT (LIMIT STOP) CONSIST OF ITEM NO'S 23 THRU 26	1075040 (521-LS)

CONVERSION KITS	
DESCRIPTION	PART NO.
CONVERSION PARTS KIT (LIMIT STOP) CONSISTS OF ITEM NO'S 23 THRU 27	1071090 (K521-LSC)

- NOTE:
- LIMIT STOP OPTION ONLY OFFERED ON FAIL SAFE SPRING CLOSED MODELS.
 - FAILSAFE OPTION NOT OFFERED IN CONVERSION KIT FORM DUE TO SPECIAL ASSEMBLY REQUIREMENTS.
 - COMPONENTS/ASSEMBLIES TO BE COMPLIANT AND COMPATIBLE WITH EUROPEAN UNION DIRECTIVE 2002/95/EEC (RoHS) REQUIREMENTS.

SEE SHEET 1078142 FOR UNION END CONECTORS,
 SEE SHEET 1078142 FOR GROOVED ADAPTORS,

16605 West Victor Rd New Berlin, WI 53151 262-326-0100 www.aq-matic.com	THIRD ANGLE PROJECTION				
	APPROVALS				DATE
	DRAWN	NE	08/29/12	TITLE	CATALOG SHEET, 5521 DIAPHRAGM VALVE, STANDARD MODEL
	APPROVED			SIZE	C
DO NOT SCALE DRAWING. DIMS. ARE IN INCHES [mm] <small>INTERPRET DIMS AND TOLERANCES PER ASME Y14.5M -2009 UNLESS OTHERWISE SPECIFIED:</small>	CHECKED		DWG NO.	BR1077693	
<small>TOLERANCES: ANGLES: ±1° 1 PLACE .X: 2 PLACE .XX: 3 PLACE .XXX:</small>			SCALE	1:1	
				REV	J
					SHEET 2 OF 2